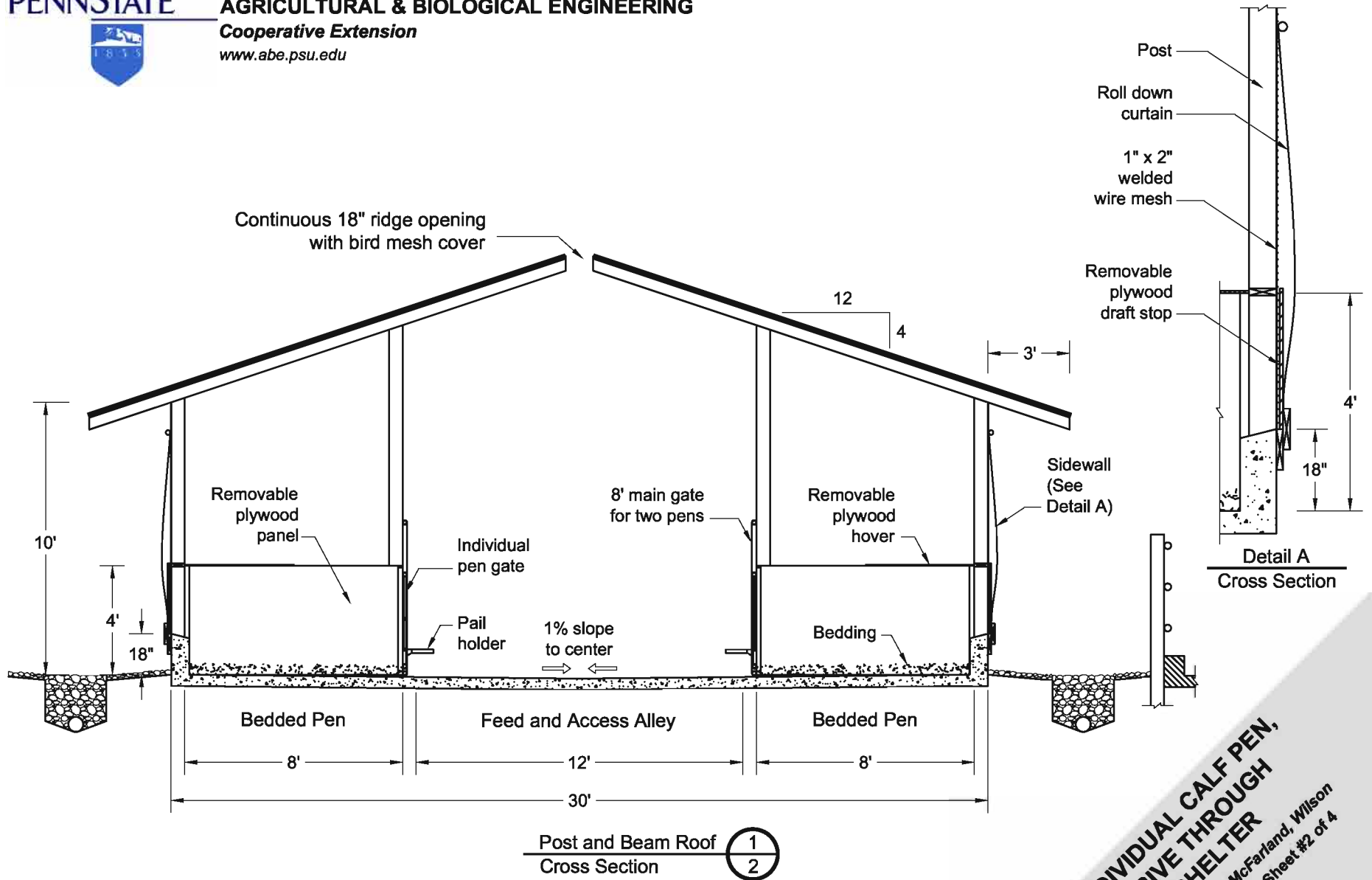


**Note :**

Structural details to be designed and constructed in accordance with local codes and conditions.

**INDIVIDUAL CALF PEN,  
 DRIVE THROUGH,  
 SHELTER**

Tyson, Graves, McFarland, Wilson  
 Date: 02/05/07 Sheet #1 of 4

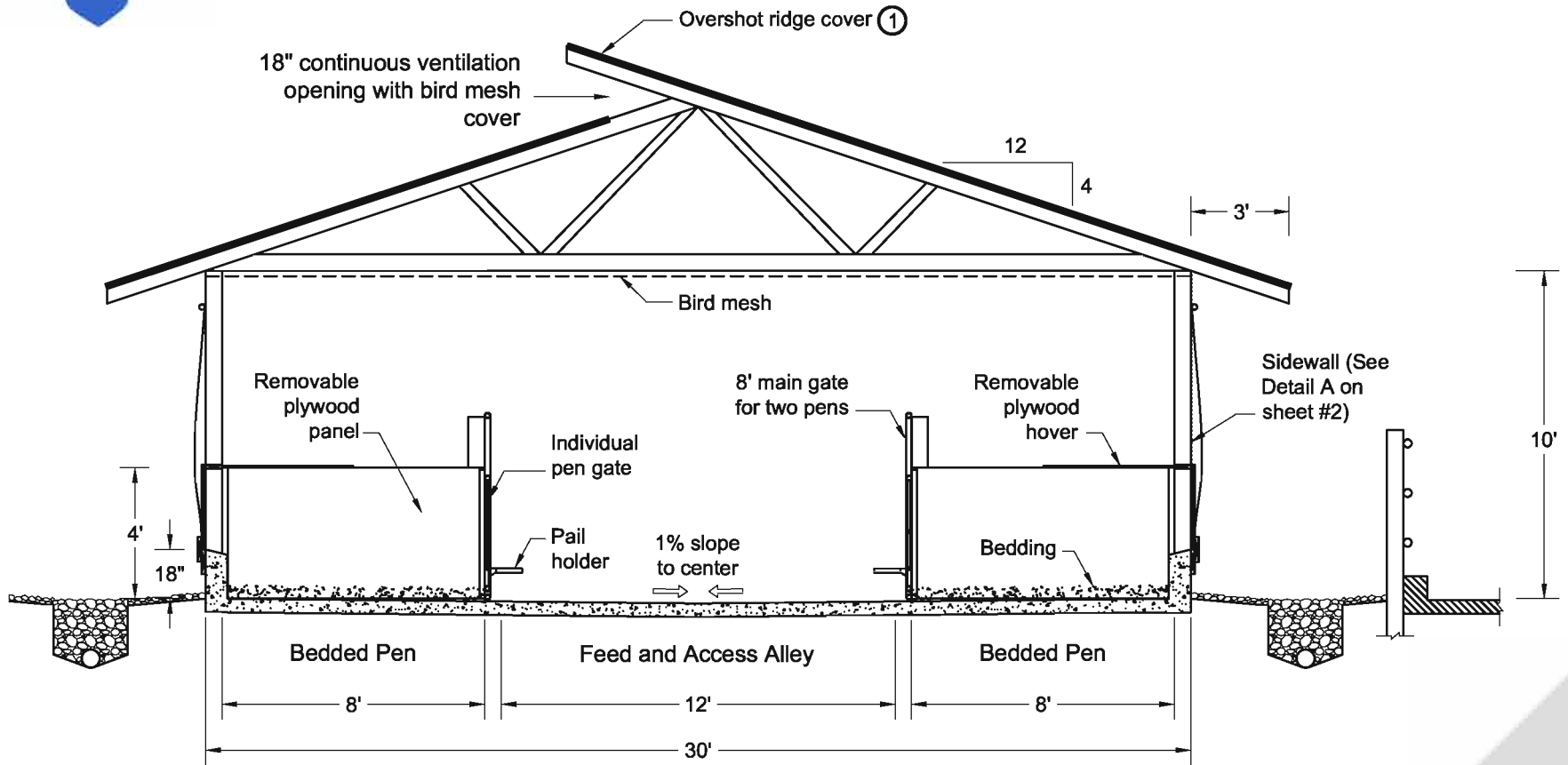


**Notes :**

- Structural details to be designed and constructed in accordance with local codes and conditions.
- Orient ridge perpendicular to prevailing winds.

**INDIVIDUAL CALF PEN,  
 DRIVE THROUGH  
 SHELTER**

Tyson, Graves, McFarland, Wilson  
 Date: 02/05/07  
 Sheet #2 of 4



Gable Roof  
Cross Section 1  
3

**Notes :**

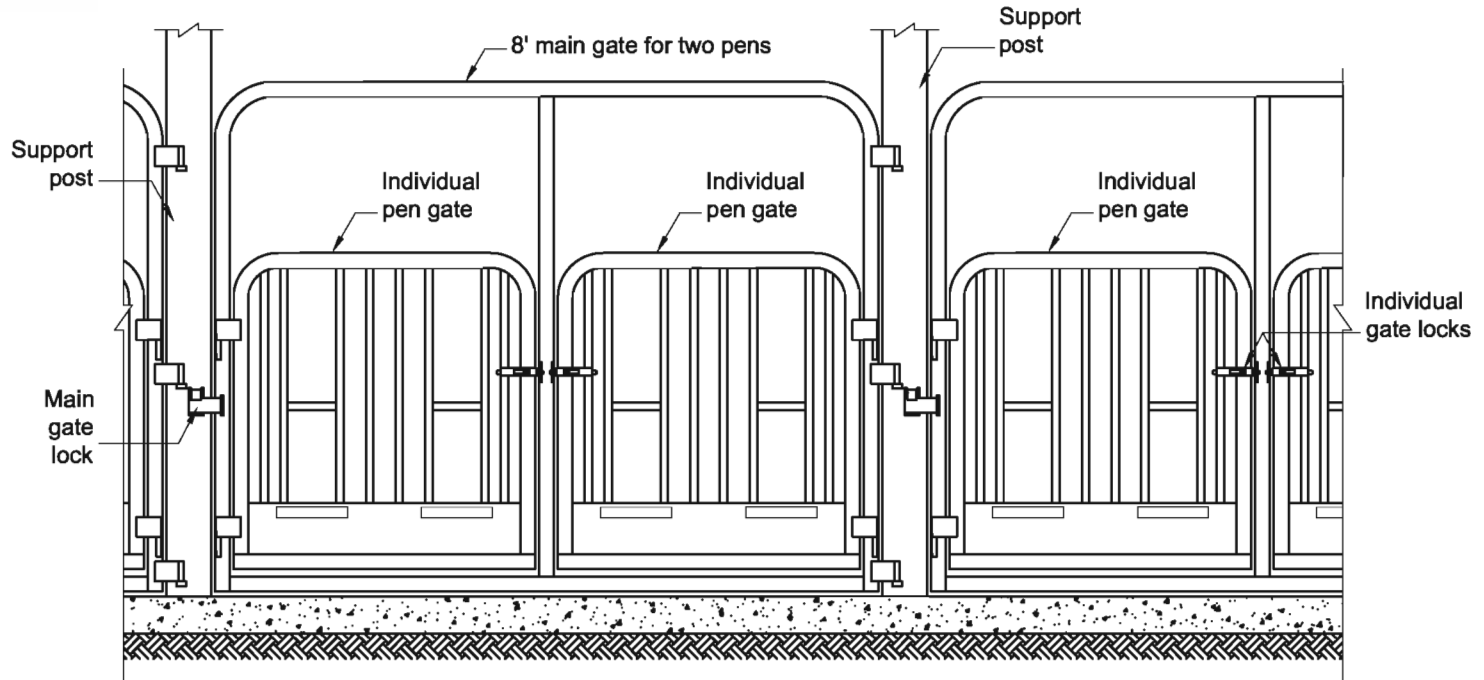
- Structural details to be designed and constructed in accordance with local codes and conditions.
- Orient overshoot ridge perpendicular to prevailing winds.
- Ceiling height must clear feeding equipment.

**Related Detail Sheets :**

- ① DIP 811 Ridge Openings for Naturally Ventilated Dairy Shelters

**INDIVIDUAL CALF PEN,  
DRIVE THROUGH  
SHELTER**

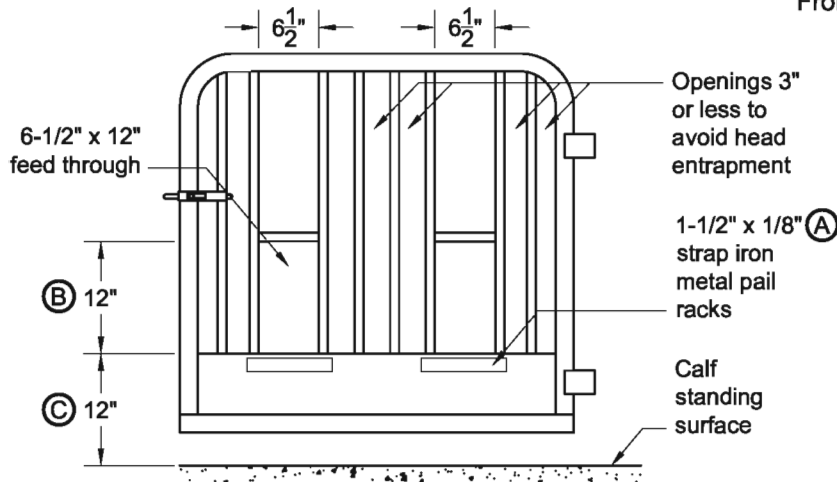
Tyson, Graves, McFarland, Wilson  
Date: 02/05/07 Sheet #3 of 4



Gate Details 

1
4

  
 Front View



**Notes :**

- (A) Pail holders sized and mounted to correspond with size and type of pail. Top rim of pail should not be more than 12" higher than typical calf standing surface
- (B) Select top clearance to minimize calf escape and not interfere with access of larger calves or as bedding builds up.
- (C) Measure opening height from typical calf standing surface.

**INDIVIDUAL CALF PEN,  
 DRIVE THROUGH,  
 SHELTER**

Tyson, Graves, McFarland, Wilson  
 Date: 02/05/07  
 Sheet #4 of 4