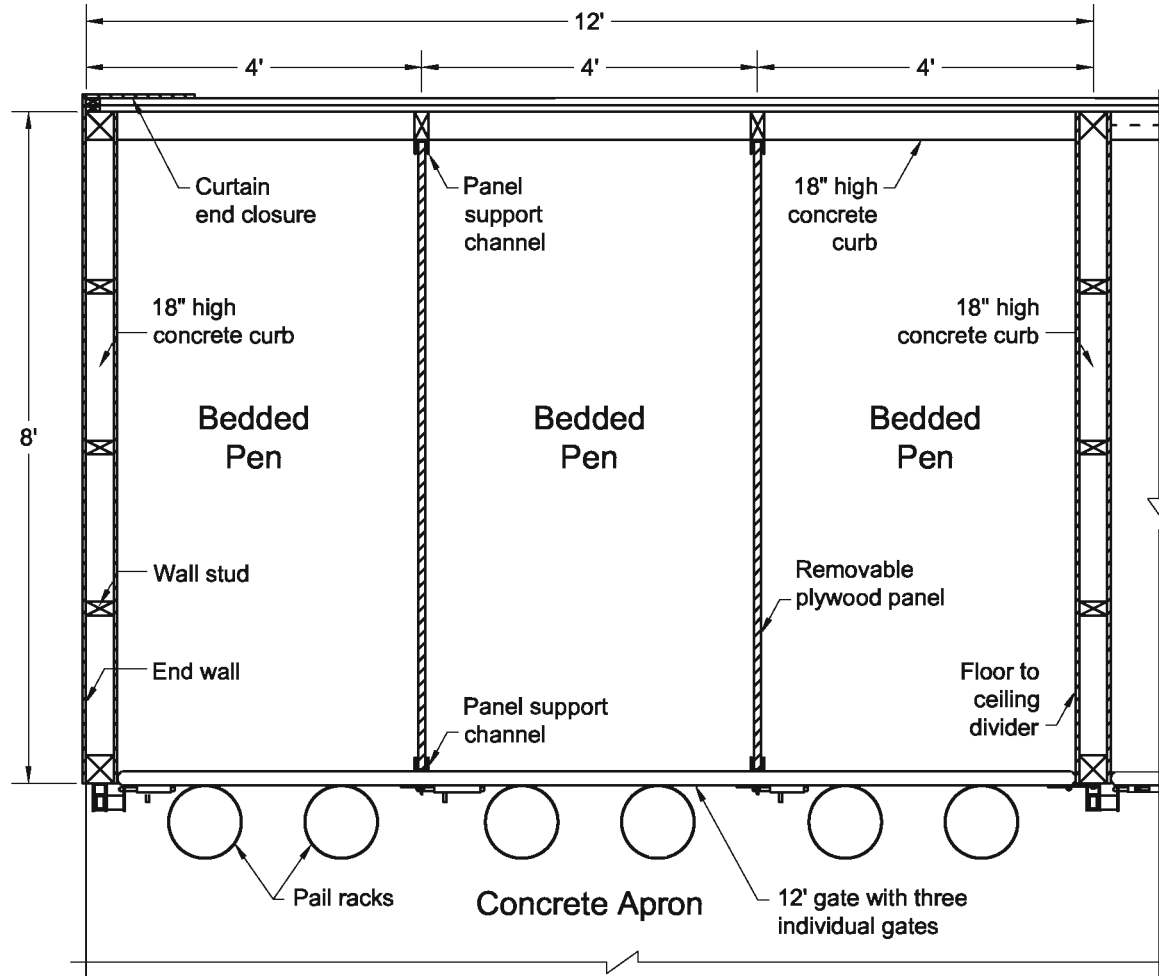


Note :
Structural details to be designed and constructed in accordance with local codes and conditions.

**INDIVIDUAL CALF PEN,
OPEN FRONT SHELTER
- 12 PENS**
Tyson, Graves, McFarland, Wilson
Date: 02/05/07 Sheet #1 of 4



Pen Detail

1
2

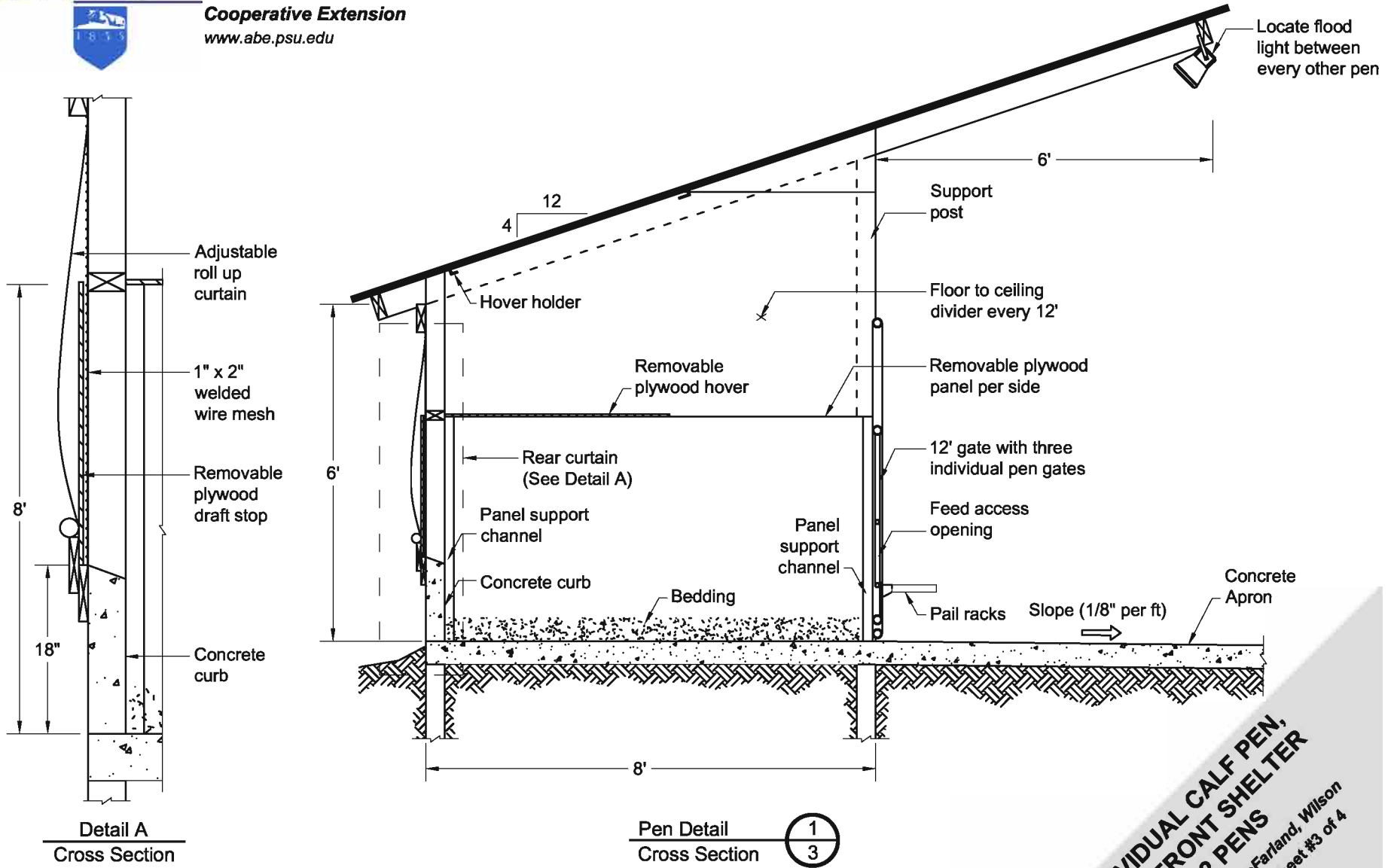
Plan View

Note :

Structural details to be designed and constructed in accordance with local codes and conditions.

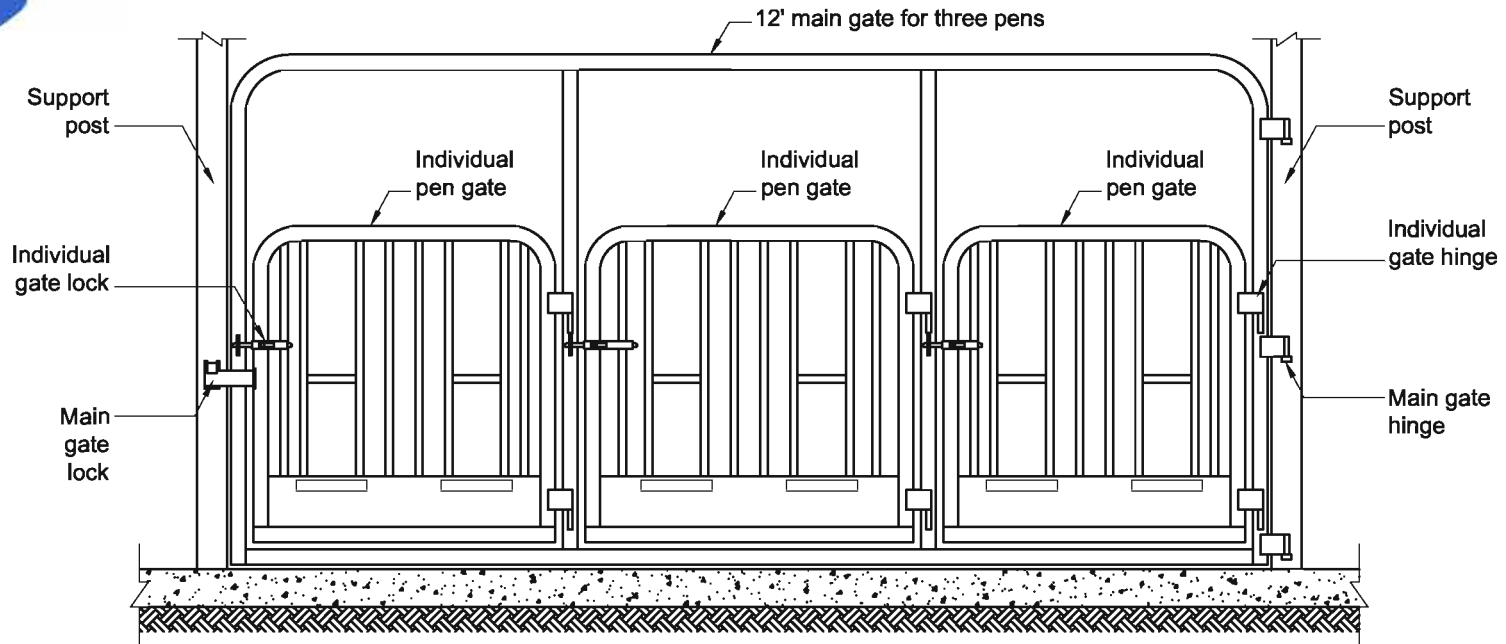
**INDIVIDUAL CALF PEN,
OPEN FRONT SHELTER
- 12 PENS**

Tyson, Graves, McFarland, Wilson
Date: 02/05/07
Sheet #2 of 4



Note :
 Structural details to be designed and constructed in accordance with local codes and conditions.

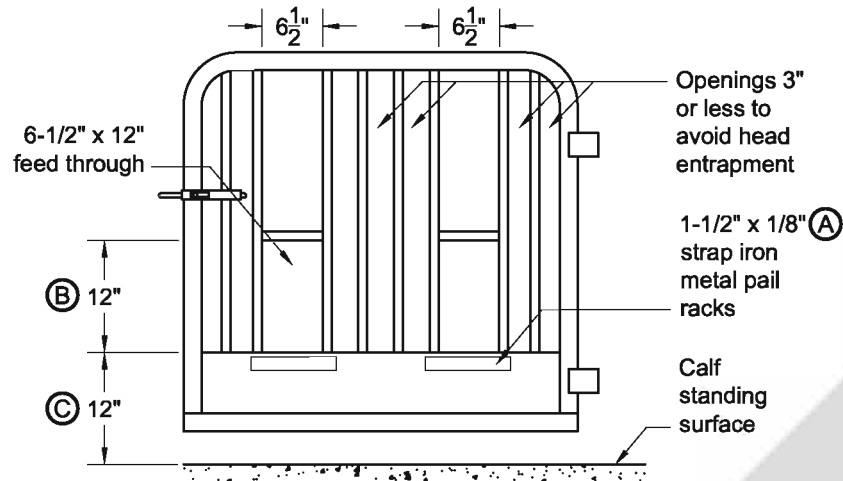
**INDIVIDUAL CALF PEN,
 OPEN FRONT SHELTER
 - 12 PENS**
 Tyson, Graves, McFarland, Wilson
 Date: 02/05/07 Sheet #3 of 4



Gate Details 1
Cross Section 4

Notes :

- Ⓐ Pail holders sized and mounted to correspond with size and type of pail. Top rim of pail should not be more than 12" higher than typical calf standing surface
- Ⓑ Select top clearance to minimize calf escape and not interfere with access of larger calves or as bedding builds up.
- Ⓒ Measure opening height from typical calf standing surface.



**INDIVIDUAL CALF PEN,
OPEN FRONT SHELTER**
- 12 PENS

Tyson, Graves, McFarland, Wilson
Date: 02/05/07
Sheet #4 of 4