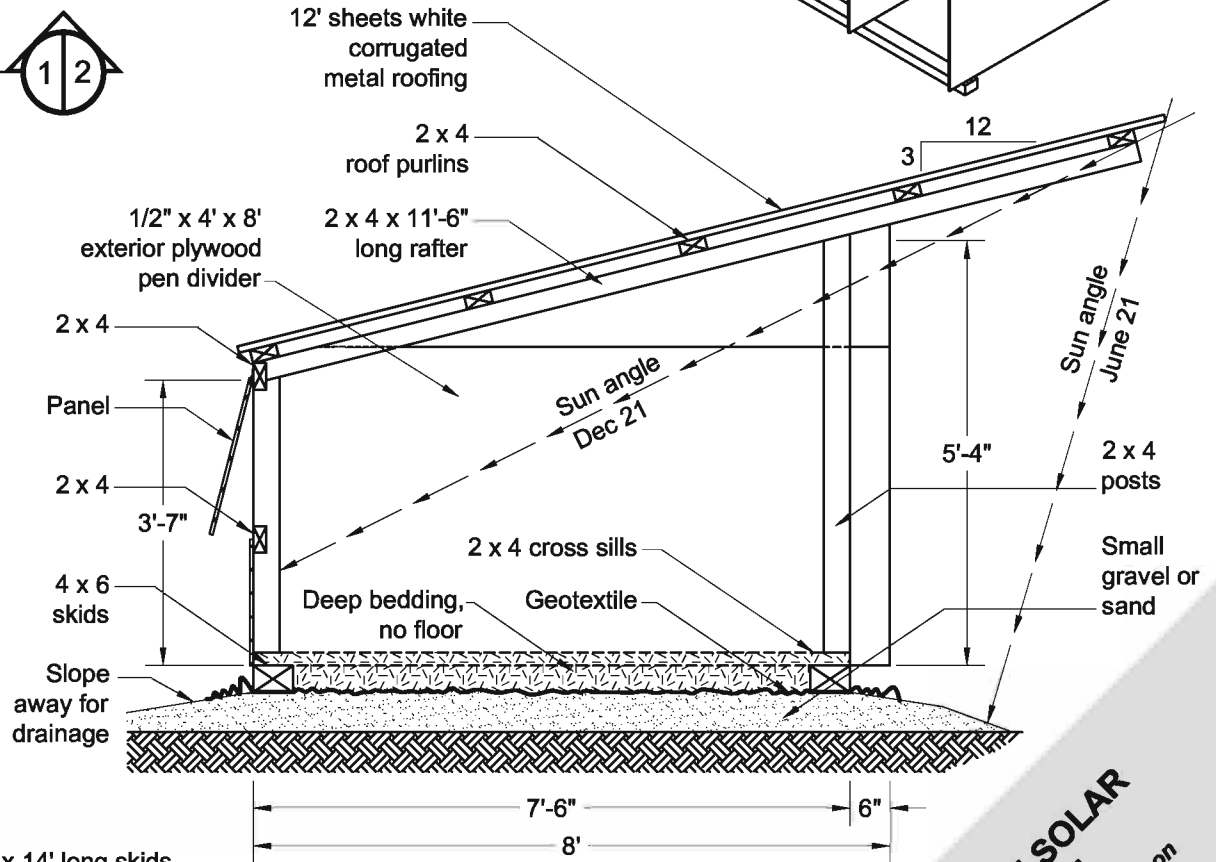
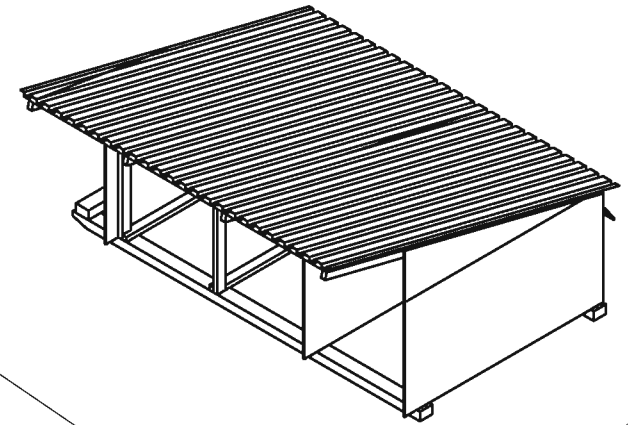
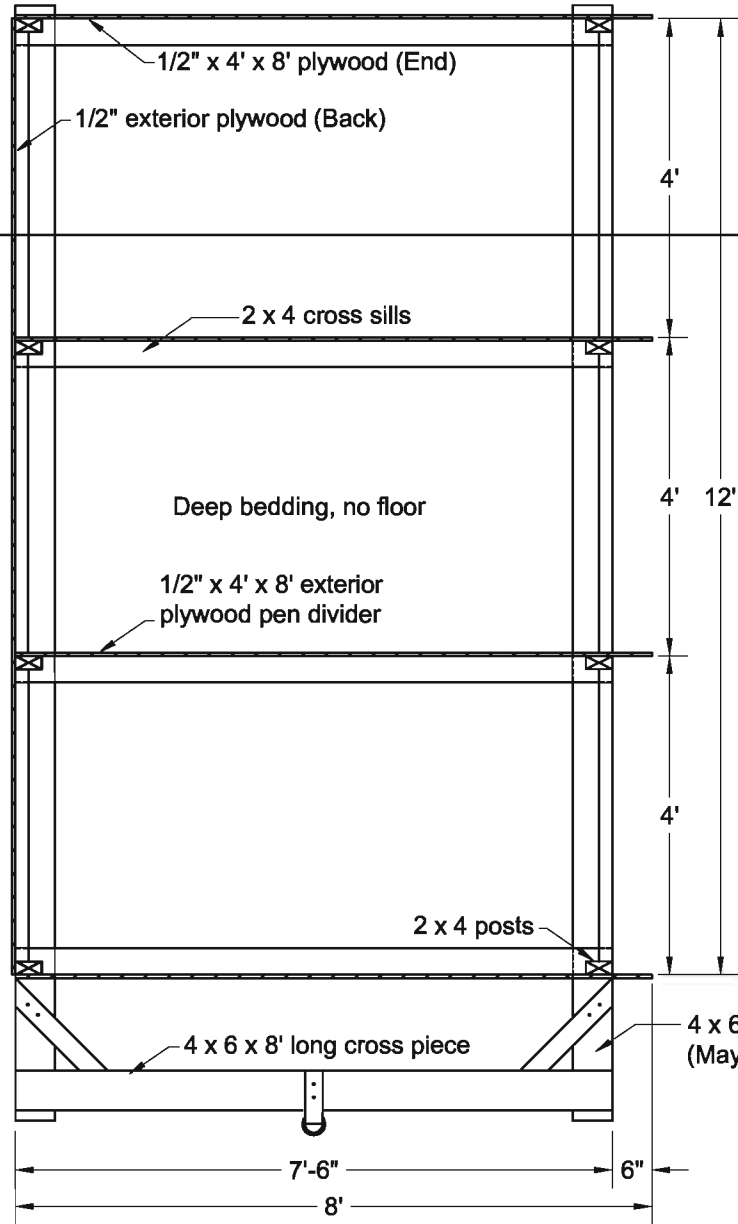


AGRICULTURAL & BIOLOGICAL ENGINEERING

Cooperative Extension

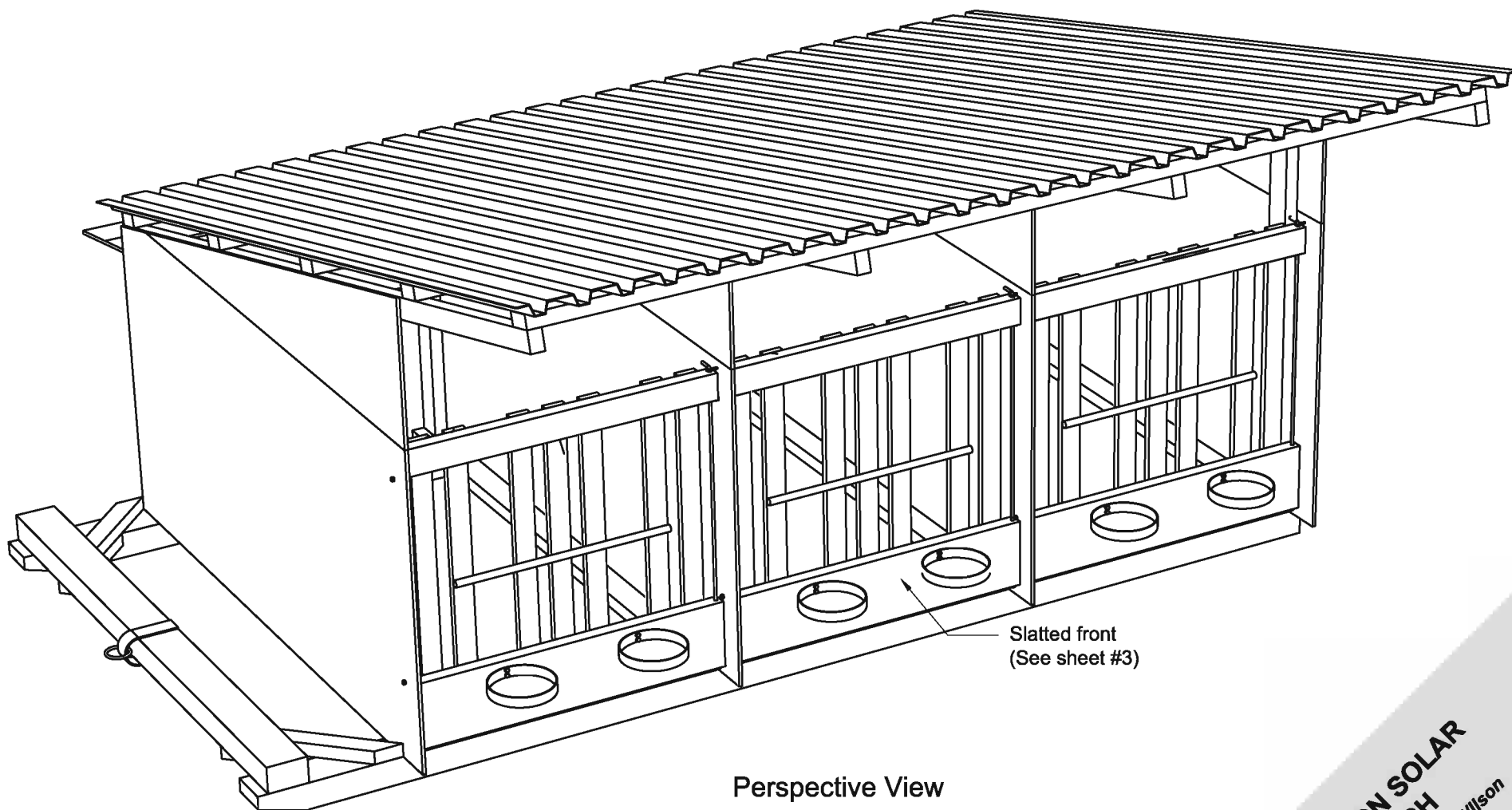
www.abe.psu.edu



Notes :

- Structural details to be designed and constructed in accordance with local codes and conditions.
- Face open front away from prevailing winter winds.
- Open front facing SE will provide afternoon shading in hot weather.

MULTI-SECTION SOLAR CALF HUTCH
 Graves, Tyson, McFarland, Wilson
 Date: 02/28/07
 Sheet #1 of 3



Perspective View

Notes :

- Multiple pen building, closed three sides, open to the south or southeast.
- 3'6" roof extension to protect worker and to keep feed dry.
- For heifers to 2 months of age.

**MULTI-SECTION SOLAR
CALF HUTCH**

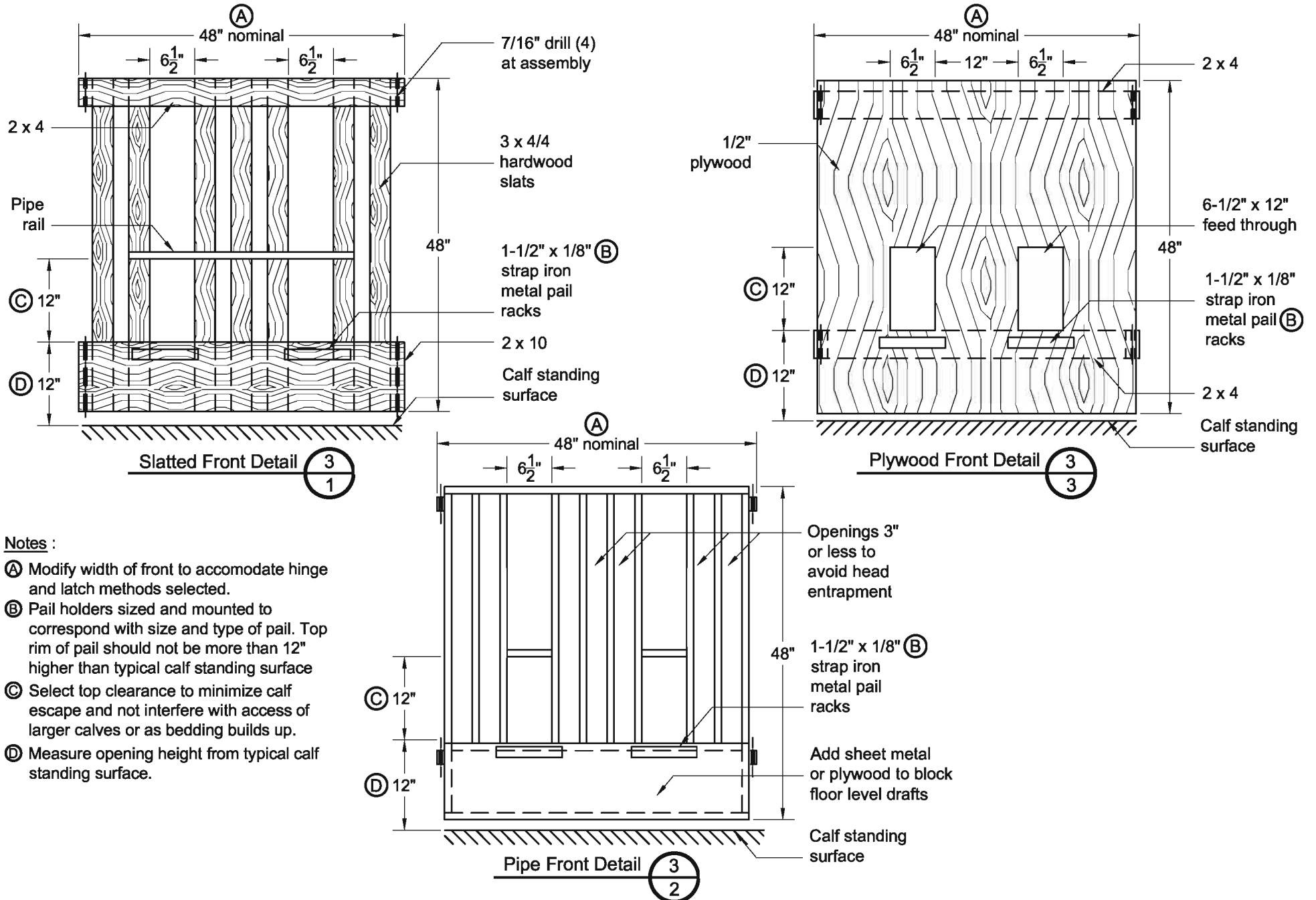
Graves, Tyson, McFarland, Wilson
Date: 02/28/07 Sheet #2 of 3

No. DIP 504

AGRICULTURAL & BIOLOGICAL ENGINEERING

Cooperative Extension

www.abe.psu.edu



Notes :

- (A) Modify width of front to accommodate hinge and latch methods selected.
- (B) Pail holders sized and mounted to correspond with size and type of pail. Top rim of pail should not be more than 12" higher than typical calf standing surface
- (C) Select top clearance to minimize calf escape and not interfere with access of larger calves or as bedding builds up.
- (D) Measure opening height from typical calf standing surface.