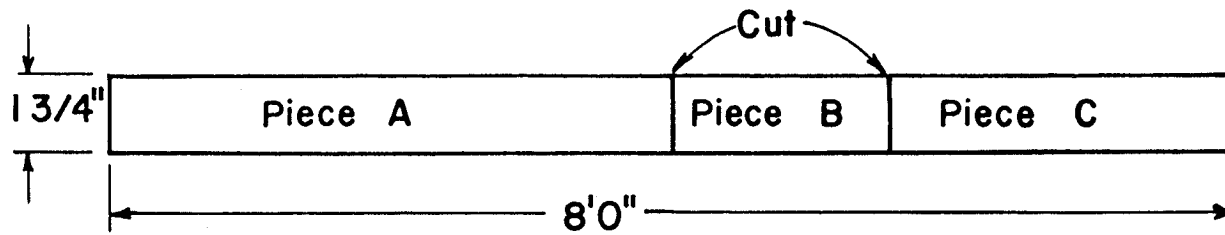
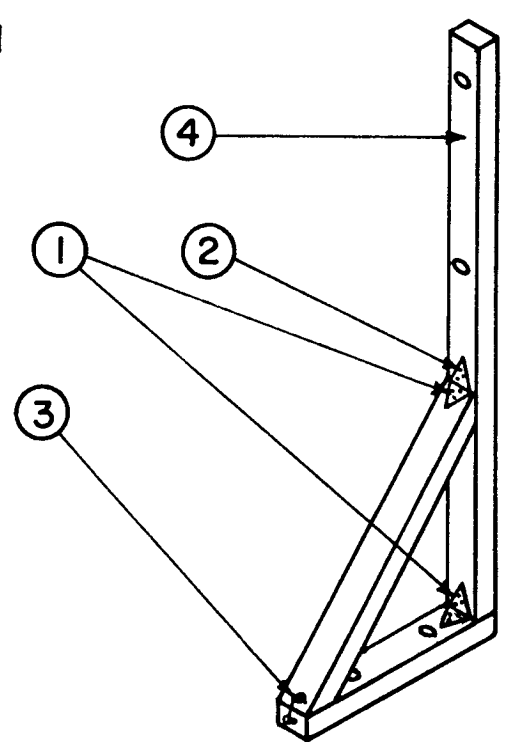
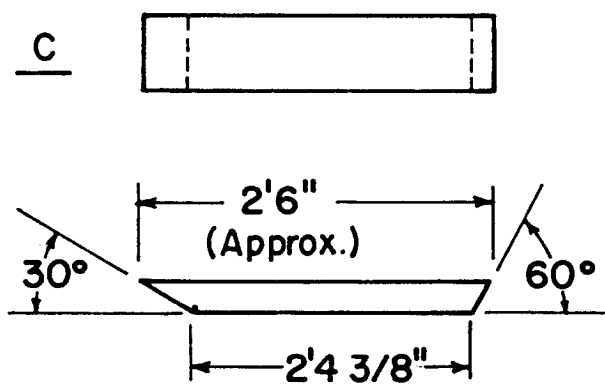
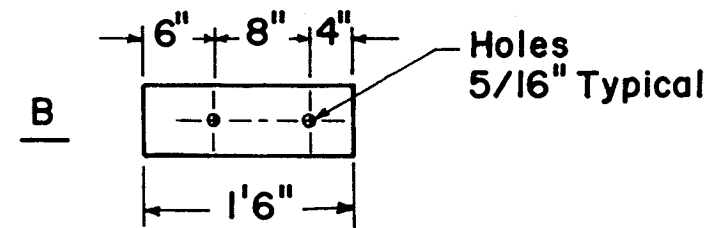
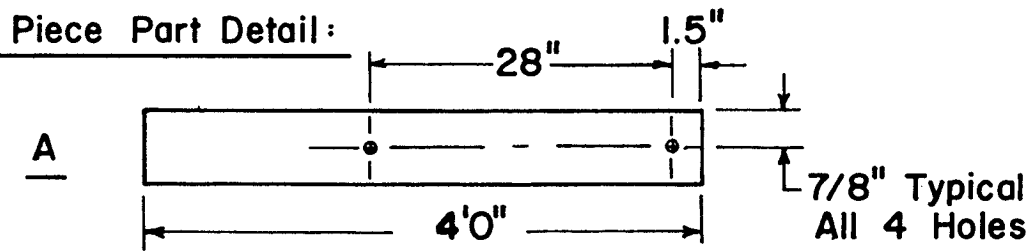


Material Specifications:



Piece Part Detail:



Materials:

ITEM QUAN. DESCRIP.

ITEM	QUAN.	DESCRIP.
1	2	2" Strap Hinge
2	12	Flathead Steel Wood Screw #8X3/4"
3	1	2" Hook & Eye
4	1	Board 1 3/4" X 1" X 8'

Notes:

All Cuts 90° Unless Specified.

Wooden Framing Can Be Made From 1" X 2" (3/4" X 1 3/4") Furring Strips, Or Rip Sawn From 1" X 6" (3/4" X 5 1/2") Pine Or Fir Planks.

For Assembly, Mount Hinges Where Required To Form 30°-60°-90° Triangle, With 30° Angle Toward Top.

Finish With Bright Color.

Holes In Piece A For Attaching Panels Or Flagging Ribbon. Holes In Piece B For Holding Upright On Ground With 50d Spikes.

38 Uprights Required For Course Layout.

The Pennsylvania State University
Agricultural Engineering Extension

4H
Tractor Driving Contest Uprights

DRWN: EKR
CHKD: JWG
DATE 6/83

SHEET 1 OF 1

ORDER NO. 790-75
REVISED