

Penn State **Extension**

Feed Carts

Agricultural and Biological Engineering

abe.psu.edu

No. IP 770-30

This Idea Plan is intended to provide educational information and ideas concerning various methods for building gates, stiles, passages, and cattle guards for use with fences. The following attached drawings are based on historical plans and may not meet design and construction standards for your area:

Feed Cart (PSU 329)
Feed Cart (USDA 6343)

If you decide to build a facility similar to any of these plans, be sure to check building requirements for your area. Your local building inspector, engineer, building supplier, or building contractor can help you determine what is a safe and legal facility for housing rabbits in your area. In addition to the rules and regulations covering design and construction of buildings, be sure to consider how you will handle the manure and potential nuisance problems for neighbors, including flies, odor, and noise.

The Department of Agricultural and Biological Engineering at Penn State has a variety of educational material available related to agricultural and biological engineering. This material is intended to help Pennsylvania farmers and others develop buildings and facilities for modern, environmentally-compatible farm facilities. The material can be used in conjunction with county extension staff, builders, suppliers, consulting engineers, the Natural Resources Conservation Service, financial management advisors, farm lenders, veterinarians, and others to assemble a facilities plan suitable for local conditions.

Publications are available in the areas of agricultural safety and health, animal housing systems, building and farmstead planning, crops and greenhouses, machinery systems and tractors, residential housing, soil and water resources, and solid waste management. Contact your county Penn State Extension Office for more information on these subjects. You can also obtain an index of publications concerning the above areas by calling, writing, faxing or e-mailing:

Department of Agricultural and Biological Engineering
246 Agricultural Engineering Building
University Park, PA, 16802-1909
Telephone: 814-865-7685
Fax: 814-863-1031
Email: agbioeng@psu.edu

An OUTREACH program of the
College of Agricultural Sciences

Penn State College of Agricultural Sciences research and cooperative extension programs are funded in part by Pennsylvania counties, the Commonwealth of Pennsylvania, and the U.S. Department of Agriculture.

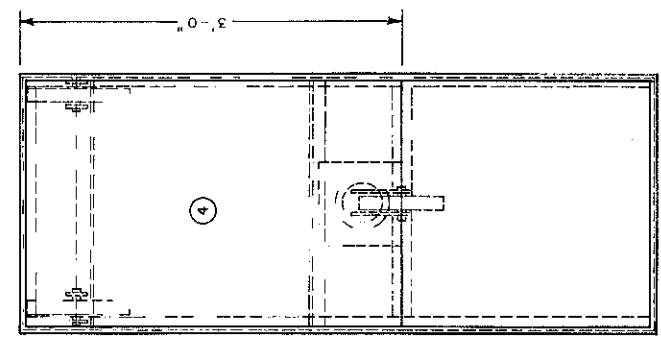
Visit Penn State Extension on the web: extension.psu.edu

Where trade names appear, no discrimination is intended, and no endorsement by Penn State Cooperative Extension is implied.

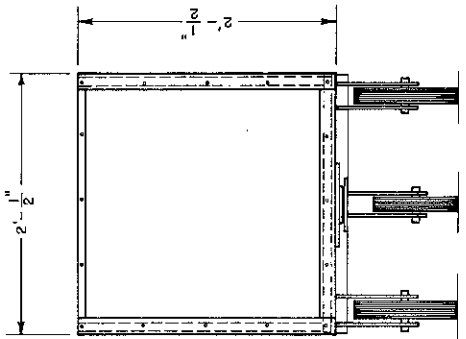
Penn State encourages persons with disabilities to participate in its programs and activities. If you anticipate needing any type of accommodation or have questions about the physical access provided, please contact [Name and phone number] in advance of your participation or visit.

This publication is available in alternative media on request.

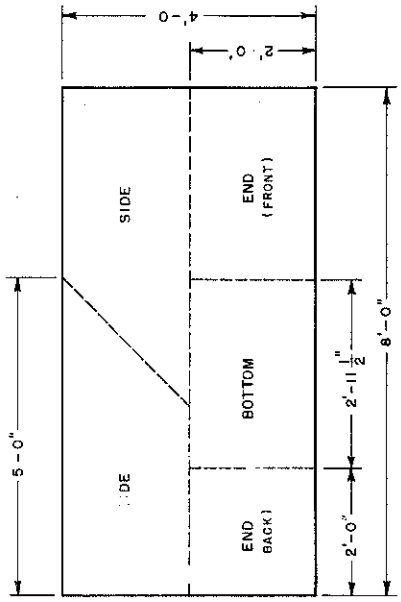
The Pennsylvania State University is committed to the policy that all persons shall have equal access to programs, facilities, admission, and employment without regard to personal characteristics not related to ability, performance, or qualifications as determined by University policy or by state or federal authorities. It is the policy of the University to maintain an academic and work environment free of discrimination, including harassment. The Pennsylvania State University prohibits discrimination and harassment against any person because of age, ancestry, color, disability or handicap, national origin, race, religious creed, sex, sexual orientation, gender identity, or veteran status. Discrimination or harassment against faculty, staff, or students will not be tolerated at The Pennsylvania State University. Direct all inquiries regarding the nondiscrimination policy to the Affirmative Action Director, The Pennsylvania State University, 328 Boucke Building, University Park, PA 16802-5901; Tel 814-865-4700/V, 814-863-1150/TTY.



TOP VIEW

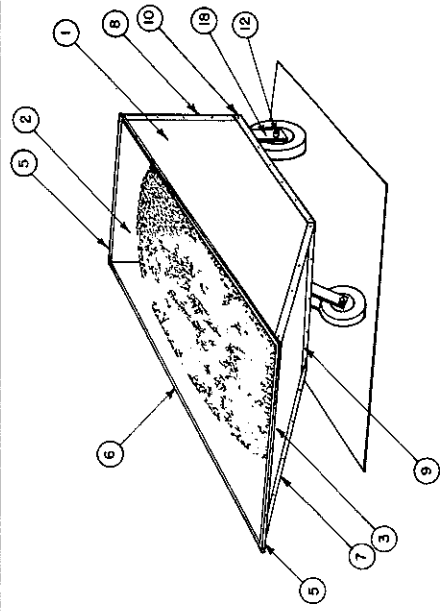


FRONT VIEW



PANEL LAYOUT DETAIL

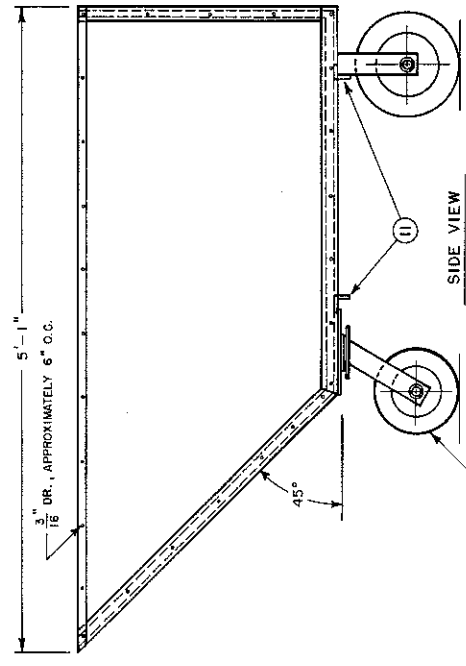
ONE SHEET 1/2" x 4'-0" x 8'-0" AC EXTERIOR PLYWOOD



PERSPECTIVE

LIST OF MATERIALS

NO.	NAME	PCS. REQ'D	DESCRIPTION	MATERIAL
1	SIDE	2	1/2" x 2'-0" x 3'-0" x 5'-0"	AC EXT. PLYWOOD
2	BACK	1	1/2" x 2'-0" x 2'-0"	AC EXT. PLYWOOD
3	FRONT	1	1/2" x 2'-0" x 2'-9-3/4"	AC EXT. PLYWOOD
4	BOTTOM	1	1/2" x 2'-0" x 2'-11-1/2"	AC EXT. PLYWOOD
5	TOP END BRACE	2	1/8" x 1/2" x 1/2" x 2'-1"	ANGLE IRON
6	TOP SIDE BRACE	2	1/8" x 1/2" x 1/2" x 5'-1"	ANGLE IRON
7	FRONT END BRACE	2	1/8" x 1/2" x 1/2" x 2'-11"	ANGLE IRON
8	BACK END BRACE	2	1/8" x 1/2" x 1/2" x 1'-11"	ANGLE IRON
9	BOTTOM END BRACE	2	1/8" x 1/2" x 1/2" x 2'-0"	ANGLE IRON
10	BOT SIDE BRACE	2	1/8" x 1/2" x 1/2" x 3'-1"	ANGLE IRON
11	WHEEL BRACE	2	1/8" x 1/2" x 1/2" x 2'-0"	ANGLE IRON
12	AXLE	2	5/8" O.D. x 3-1/2"	C.R. STEEL
13	WASHER	4	5/8"	FLAT WASHER
14	COTTER PIN	4	3/32" x 1-1/2"	COTTER PIN
15	BOLTS	APPR. 86	3/16" x 3/4" FH+LK WASHER	STOVE BOLTS
16	REAR WHEELS	2	10 x 2.75 (TIRE SIZE)	HARD RUBBER
17	CASTER WHEEL	1	8" (SEE SIDE VIEW)	HARD RUBBER
18	WHEEL STRUT	4	1/4" x 2" x 7-1/2"	FLAT IRON



SIDE VIEW

OPTIONAL, COMMERCIAL CASTER WHEEL OR FOLLOW PLAN FOR CASTER WHEEL, DEPT. OF AG. ENG. AND DEPT. OF AG. ED., THE PENNSYLVANIA STATE UNIVERSITY

THE PENNSYLVANIA STATE UNIVERSITY
DEPT. OF AG. ENG. AND DEPT. OF AG. ED.

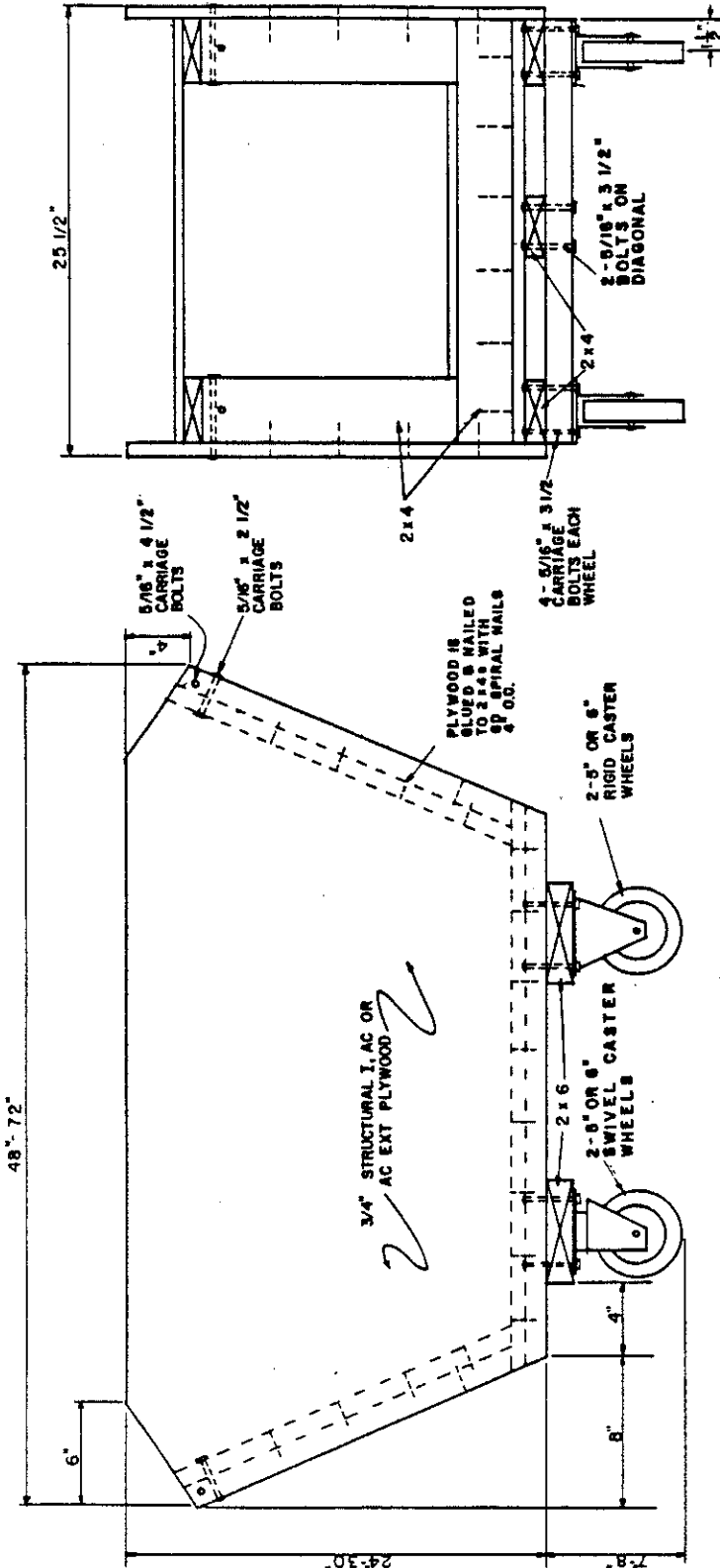
FEED CART

DRWN. BY: G. R. K.
DES'D: G. A. K. & J. D. G.
DATE: 12/30/65

SHEET 1 OF 1

ORDER NUMBER 770-329

FEED CART



END VIEW

SIDE VIEW

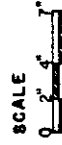
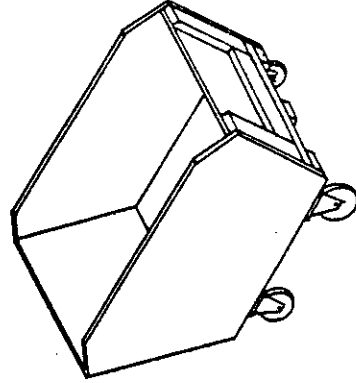
BILL OF MATERIALS

LUMBER AND OTHER CONSTRUCTION MATERIALS:

NUMBER OF PIECES	DIMENSION	GRADE AND KIND	USE
2 (48" CART)	3/4" x 4" x 8'	STRUCTURAL I, AC OR AC EXTERIOR	SIDES, ENDS, BOTTOMS
3 (72" CART)	2" x 4" x 10'	CONSTRUCTION OR NO. 1 FIR	FRAMING
2 (48" CART)	2" x 4" x 12'	"	"
1 (72" CART)	2" x 4" x 14'	"	"
1	2" x 6" x 4'	"	"

FASTENERS AND OTHER HARDWARE

AMOUNT	SIZE	ITEM
2	9" OR 6" DIAMETER, 400 LBS CAPACITY SWIVEL CASTER	WHEELS
2	5" OR 6" DIAMETER, 400 LBS CAPACITY RIGID CASTER	WHEELS
20	5/16" x 3-1/2" CARRIAGE, WITH WASHERS	BOLTS
4	5/16" x 4-1/2" "	"
4	5/16" x 2-1/2" "	"
1-1/2 LB	6d SPIRAL RESORCINDOL (WATERPROOF)	NAILS
1/2 PT		GLUE



COOPERATIVE EXTENSION WORK IN
AGRICULTURE AND HOME ECONOMICS
The Pa. State University
AND
UNITED STATES DEPARTMENT OF AGRICULTURE COOPERATING

NY 82 EX. 6343 SHEET 1 OF 1
REV. '84 770-6343

FEED CART