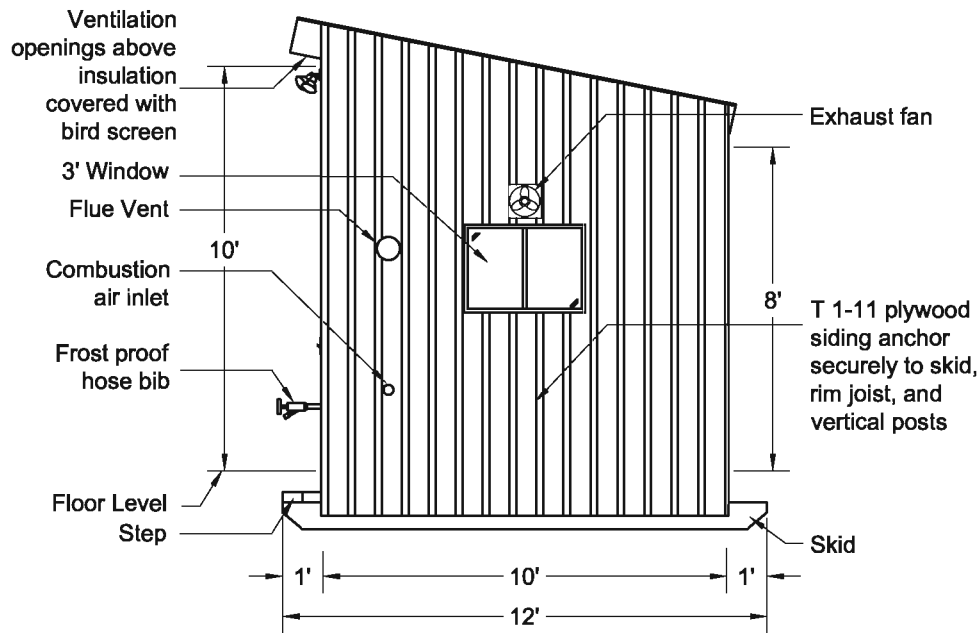


**Notes :**

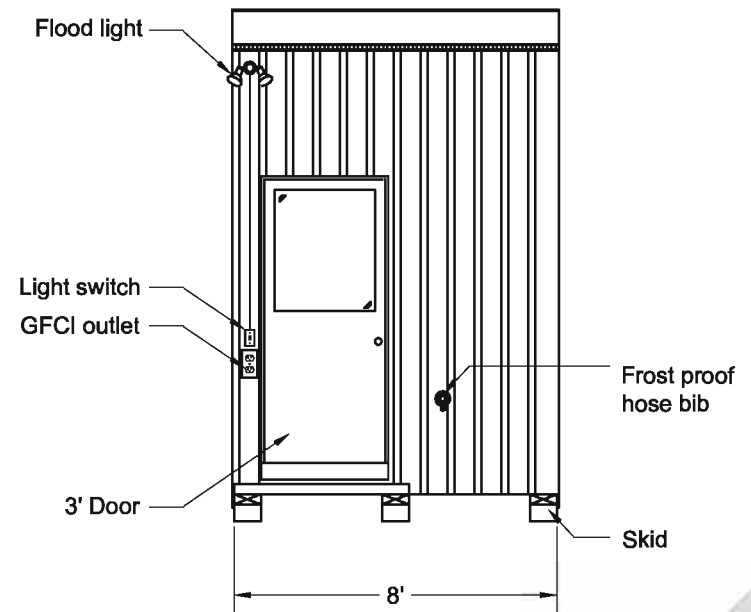
- Structural details to be designed and constructed in accordance with local codes and conditions.
- All plumbing (Gas, Water and Drainage) to be designed and installed in compliance with good plumbing practices and state and local codes.
- All electrical wiring to be designed and installed in compliance with National Electrical Code (NEC) and state and local requirements.

**MULTI-PURPOSE UTILITY BUILDING  
 ON SKIDS - 8' x 10'**  
 Graves, Wilson, McFarland, Tyson  
 Date: 02/06/07 Sheet #1 of 3



Side Elevation 

1
3



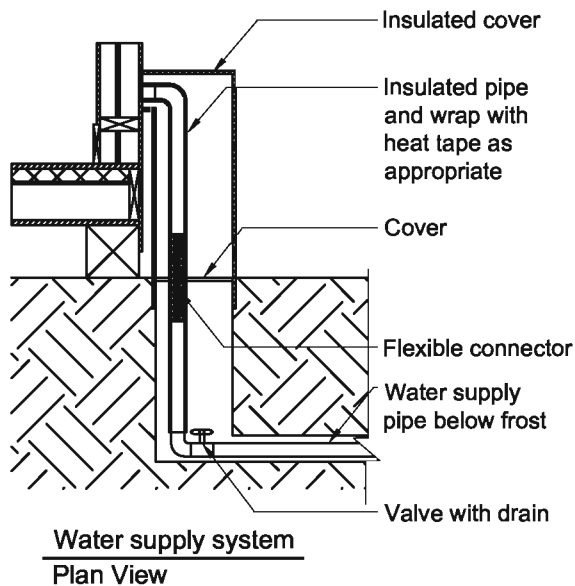
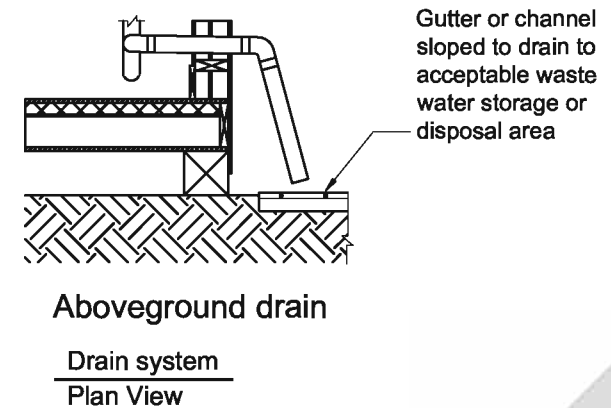
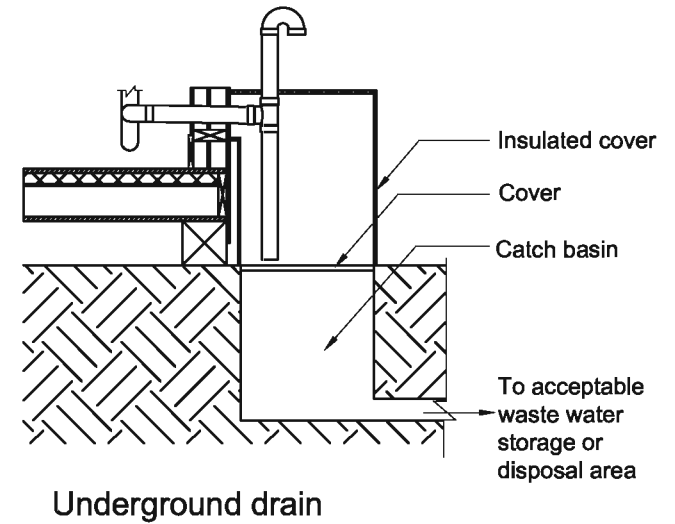
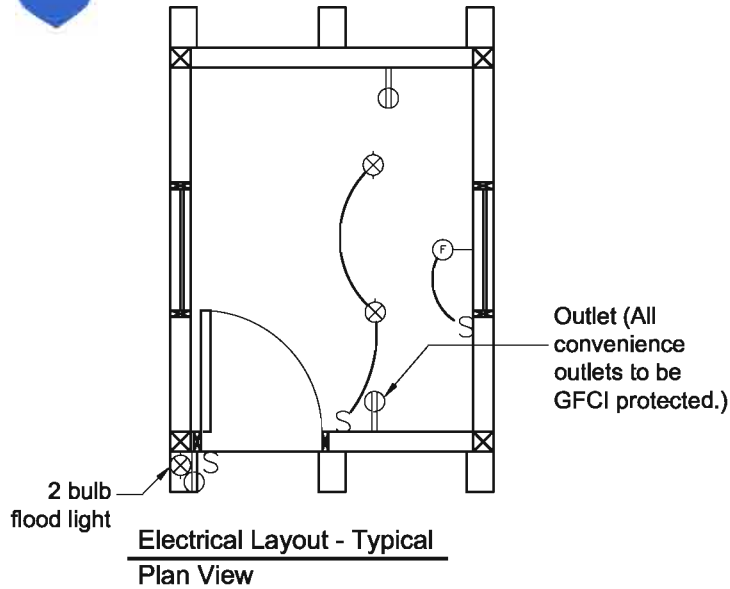
Front View 

1
4

**Notes :**

- Structural details to be designed and constructed in accordance with local codes and conditions.
- All plumbing (Gas, Water and Drainage) to be designed and installed in compliance with good plumbing practices and state and local codes.
- All electrical wiring to be designed and installed in compliance with National Electrical Code (NEC) and state and local requirements.

**MULTI-PURPOSE UTILITY BUILDING  
ON SKIDS - 8' x 10'**  
Graves, Wilson, McFarland, Tyson  
Date: 02/06/07 Sheet #2 of 3  
**No. DIP 584**



**Notes :**

- All plumbing (Gas, Water and Drainage) to be designed and installed in compliance with good plumbing practices and state and local codes.
- All electrical wiring to be designed and installed in compliance with National Electrical Code (NEC) and state and local requirements.

**References :**

- Wiring Handbook for Rural Facilities MWPS-28 www.mwpsdq.org
- Guideline for Milking Center Wastewater DPC 15, NRAES-115 www.dairyrc.org www.nraes.org

**MULTI-PURPOSE UTILITY BUILDING**  
ON SKIDS - 8' x 10'  
Graves, Wilson, McFarland, Tyson  
Date: 02/06/07 Sheet #3 of 3