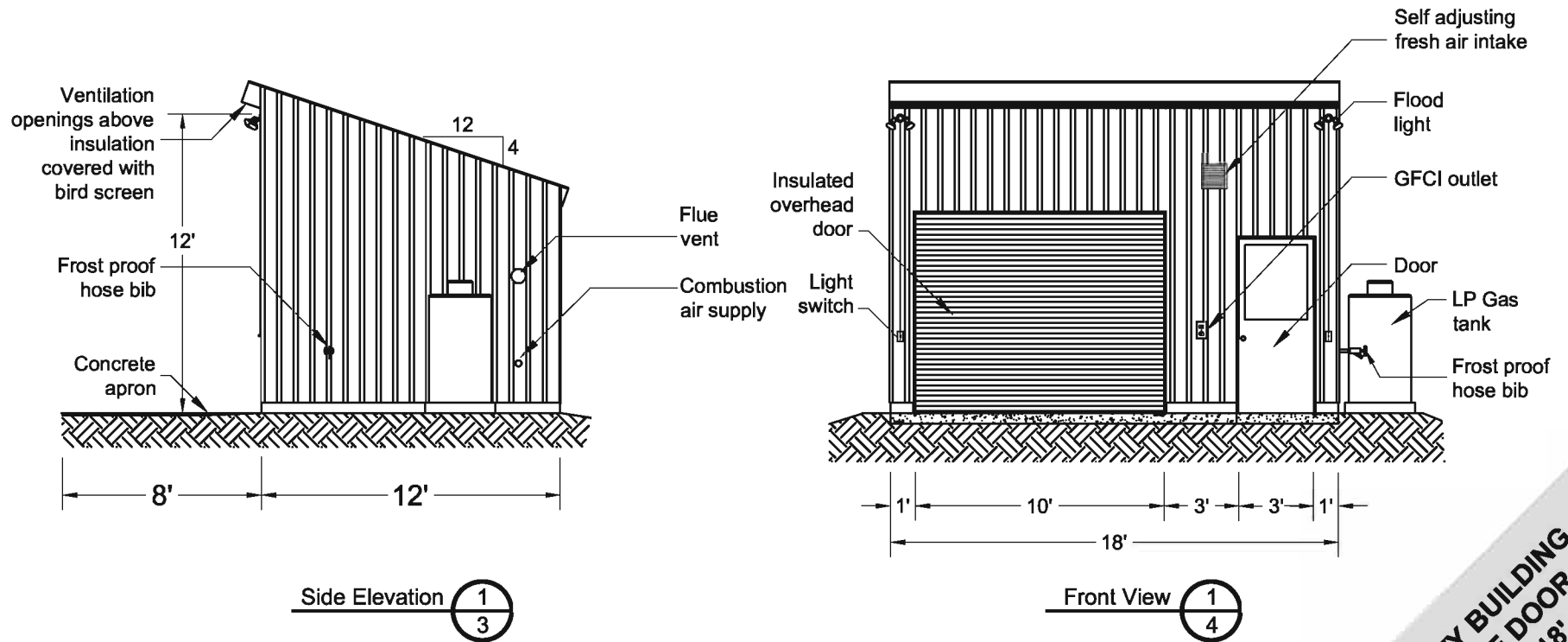


**Notes :**

- Structural details to be designed and constructed in accordance with local codes and conditions.
- All plumbing (Gas, Water and Drainage) to be designed and installed in compliance with good plumbing practices and state and local codes.
- All electrical wiring to be designed and installed in compliance with National Electrical Code (NEC) and state and local requirements.

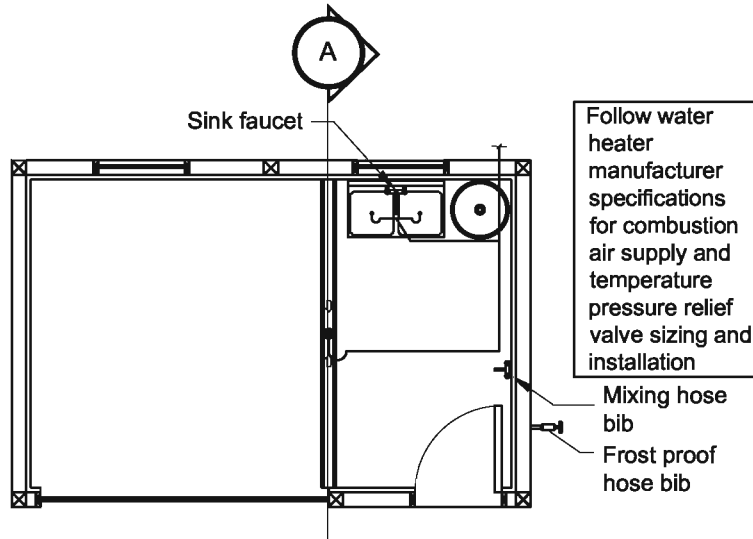
**MULTI-PURPOSE UTILITY BUILDING**  
**ONE ROOM WITH LARGE DOOR**  
**STORAGE AREA - 12' x 18'**  
 Wilson, Graves, McFarland, Tyson  
 Date: 02/06/07 Sheet #1 of 3



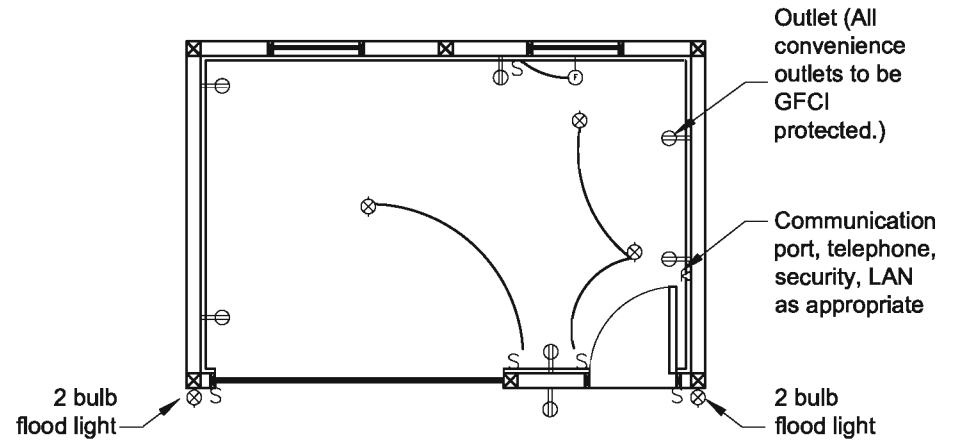
**Notes :**

- Structural details to be designed and constructed in accordance with local codes and conditions.
- All plumbing (Gas, Water and Drainage) to be designed and installed in compliance with good plumbing practices and state and local codes.
- All electrical wiring to be designed and installed in compliance with National Electrical Code (NEC) and state and local requirements.

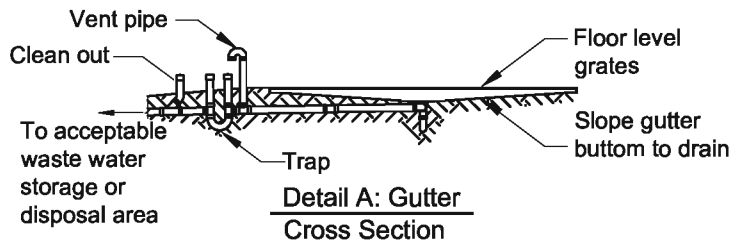
**MULTI-PURPOSE UTILITY BUILDING**  
**ONE ROOM WITH LARGE DOOR**  
**STORAGE AREA - 12' x 18'**  
 Wilson, Graves, McFarland, Tyson  
 Date: 02/06/07  
 Sheet #2 of 3



Plumbing - Typical  
 Plan View



Electrical Layout - Typical  
 Plan View



Detail A: Gutter  
 Cross Section

Notes :

- All plumbing (Gas, Water and Drainage) to be designed and installed in compliance with good plumbing practices and state and local codes.
- All electrical wiring to be designed and installed in compliance with National Electrical Code (NEC) and state and local requirements.

References :

- Wiring Handbook for Rural Facilities MWPS-28 www.mwpsdq.org
- Guideline for Milking Center Wastewater DPC 15, NRAES-115 www.dairyrc.org www.nraes.org

**MULTI-PURPOSE UTILITY BUILDING**  
**ONE ROOM WITH LARGE DOOR**  
**STORAGE AREA - 12' x 18'**  
 Wilson, Graves, McFarland, Tyson  
 Date: 02/06/07  
 Sheet #3 of 3