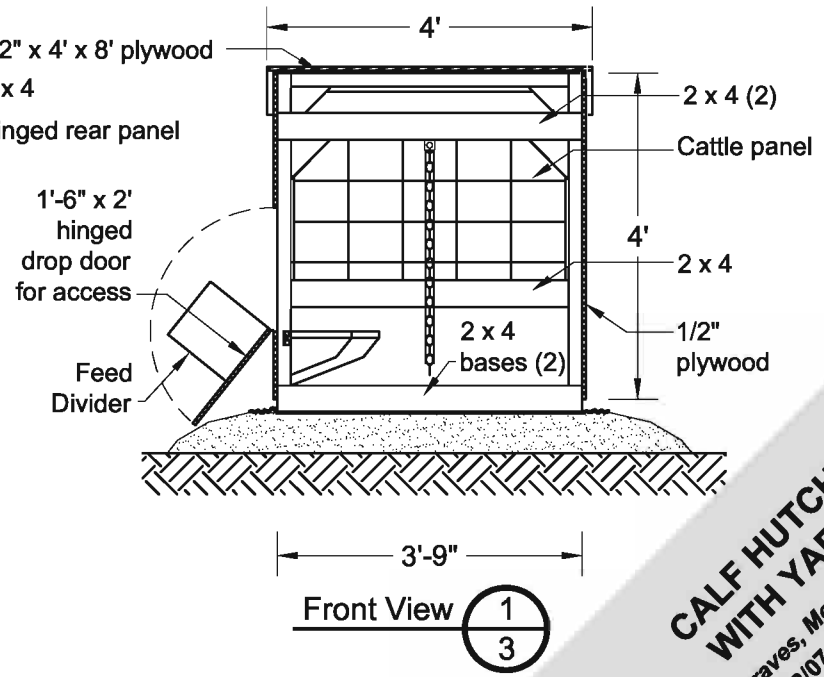
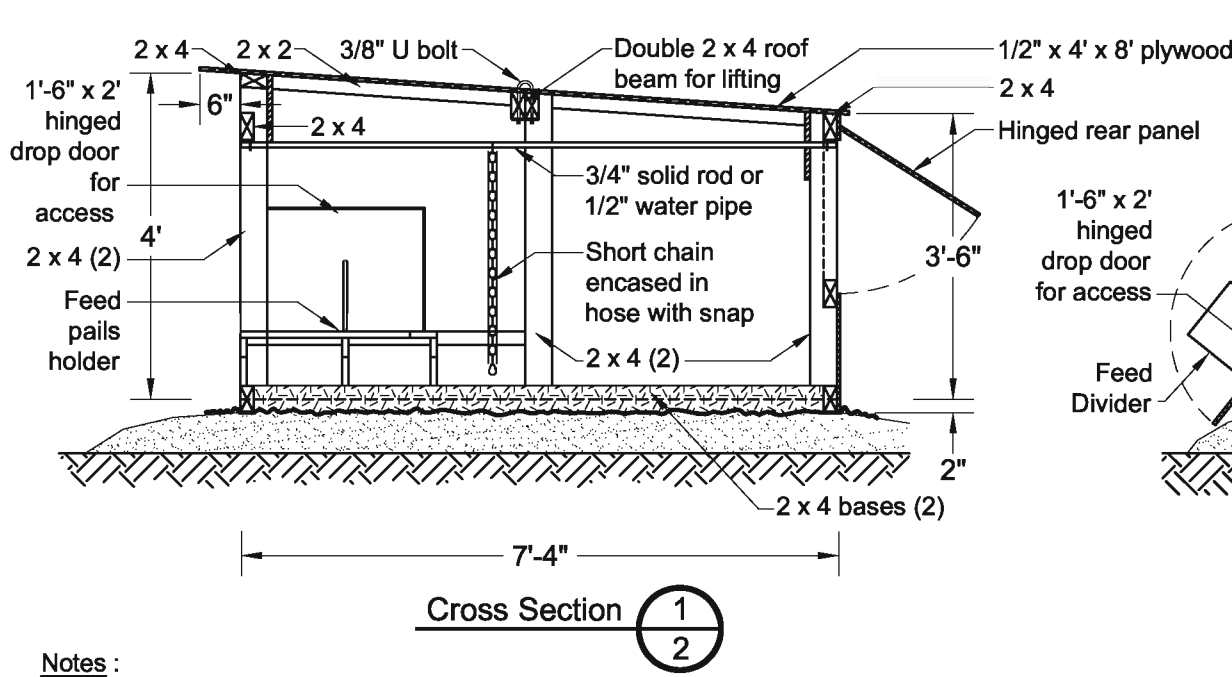
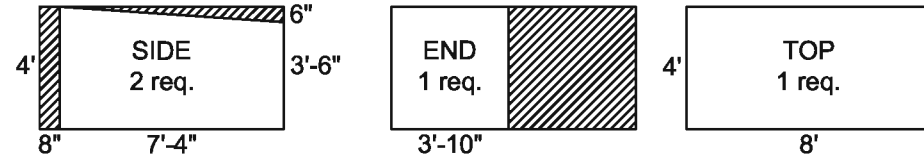


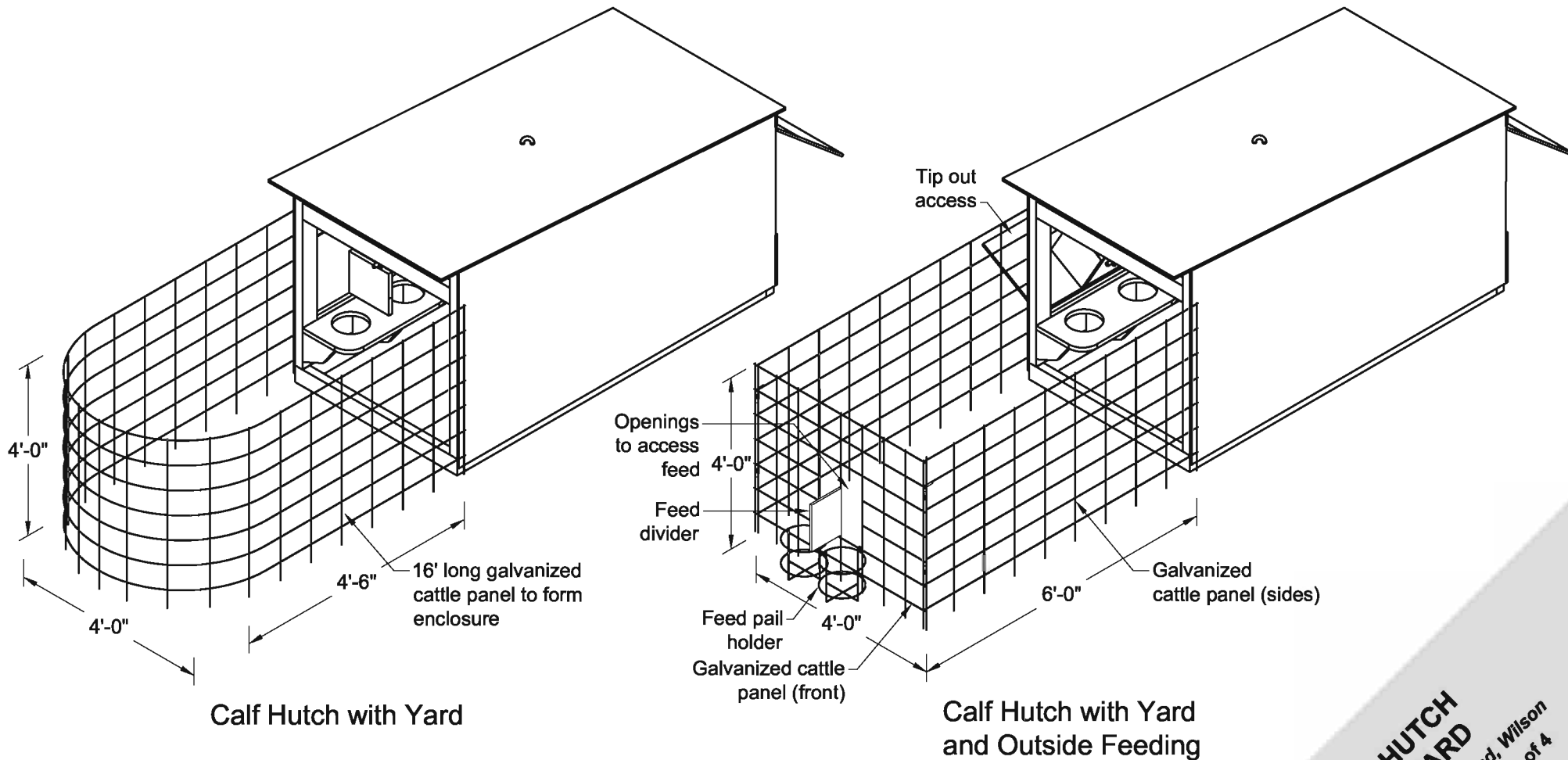
4 sheets 8' x 4' ext. plywood (C-C or better grade)



Notes :

- Place hutches in a well drained area away from older animals and exhaust fan outlets.
- Place hutches on 6" bed of porous material (sand or gravel).
- A geotextile material placed below bedding will prevent plugging of porous base.
- Face open front away from prevailing winter winds. Open front facing SE will provide afternoon shading in hot weather.

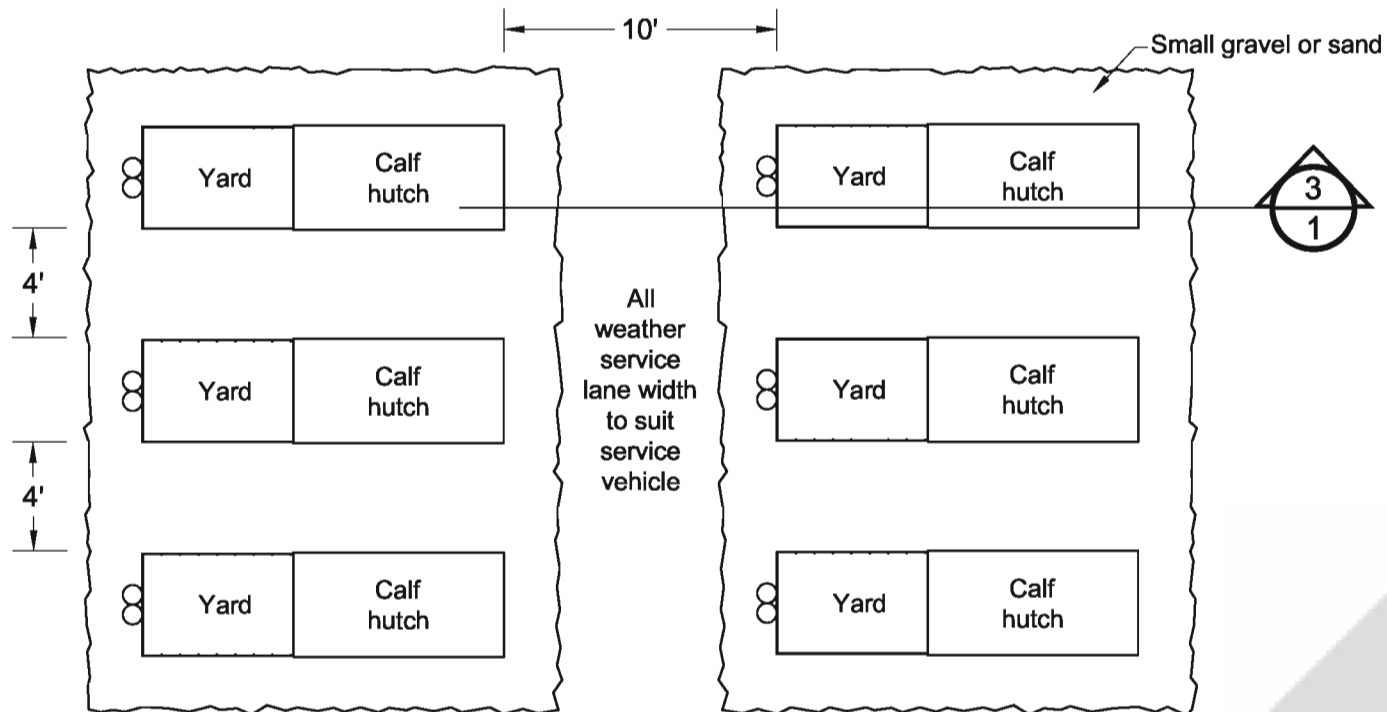
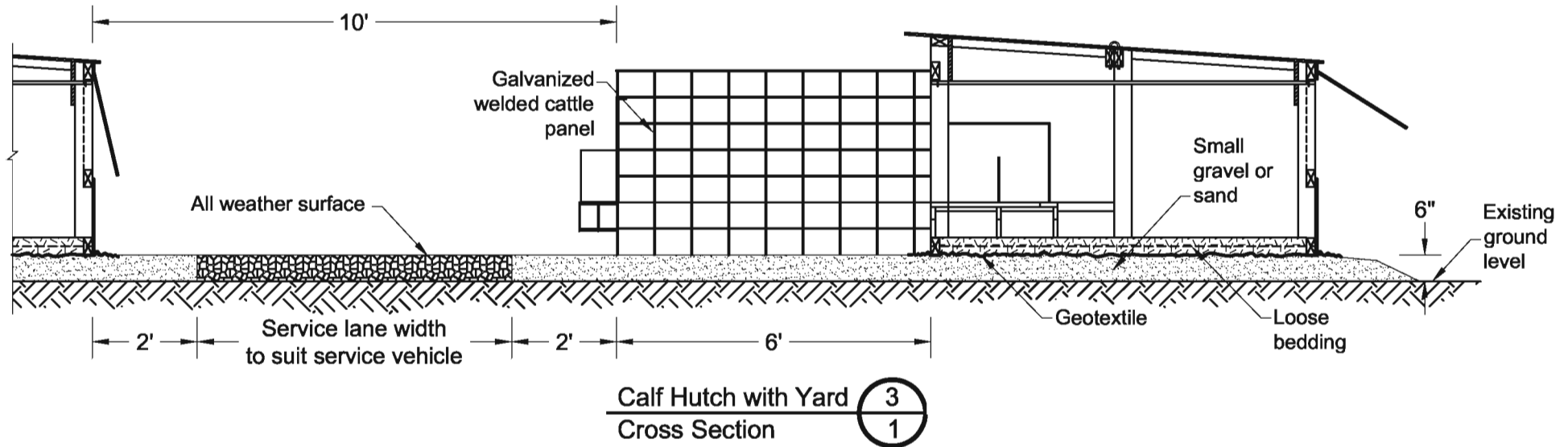
CALF HUTCH WITH YARD
 Tyson, Graves, McFarland, Wilson
 Date: 03/2/07 Sheet #1 of 4



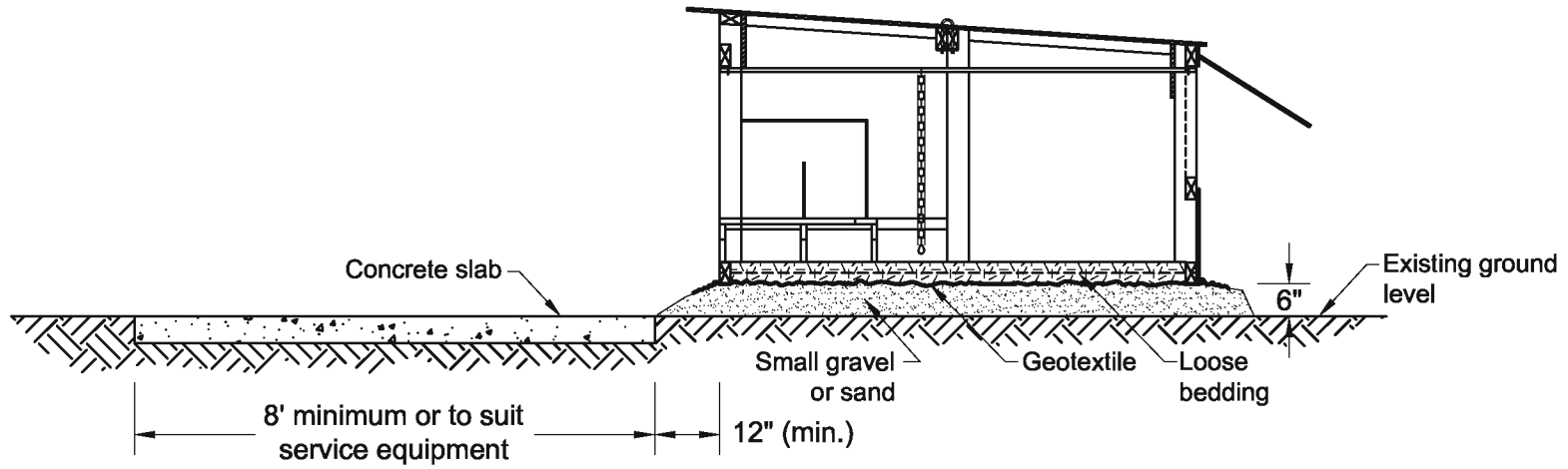
Notes :

- Place hutches in a well drained area away from older animals and exhaust fan outlets.
- Place hutches on 6" bed of porous material (sand or gravel).
- A geotextile material placed below bedding will prevent plugging of porous base.
- Face open front away from prevailing winter winds. Open front facing SE will provide afternoon shading in hot weather.

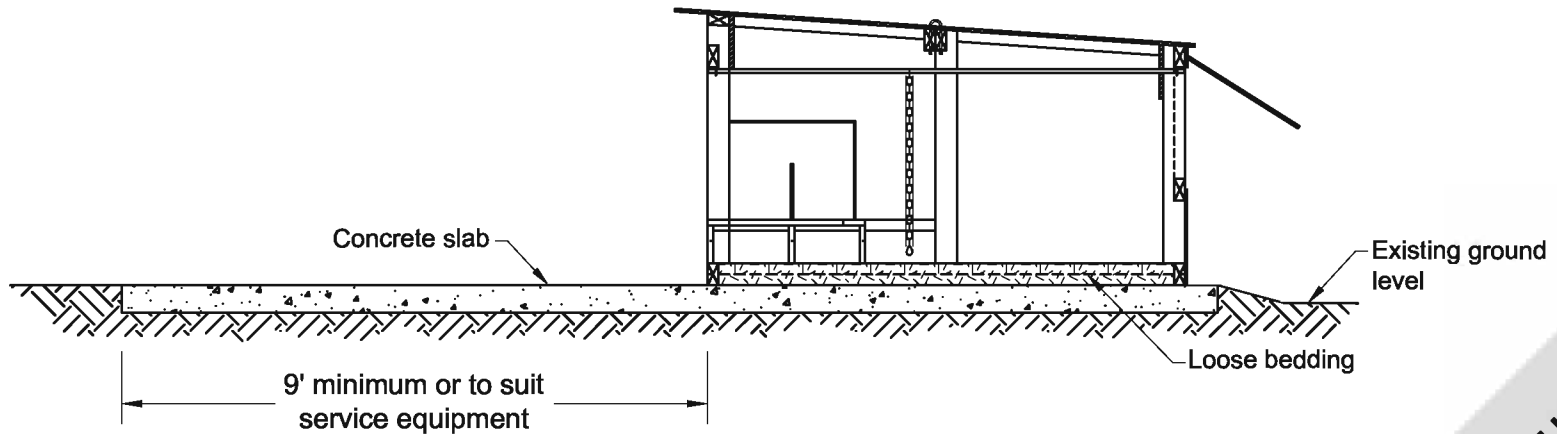
CALF HUTCH WITH YARD
 Tyson, Graves, McFarland, Wilson
 Date: 03/2/07 Sheet #2 of 4



CALF HUTCH WITH YARD
Tyson, Graves, McFarland, Wilson
Date: 03/2/07 Sheet #3 of 4



Calf Hutch with Concrete Slab 4
Cross Section 1



Calf Hutch on Concrete Slab 4
Cross Section 2

CALF HUTCH WITH YARD
Tyson, Graves, McFarland, Wilson
Date: 03/2/07 Sheet #4 of 4