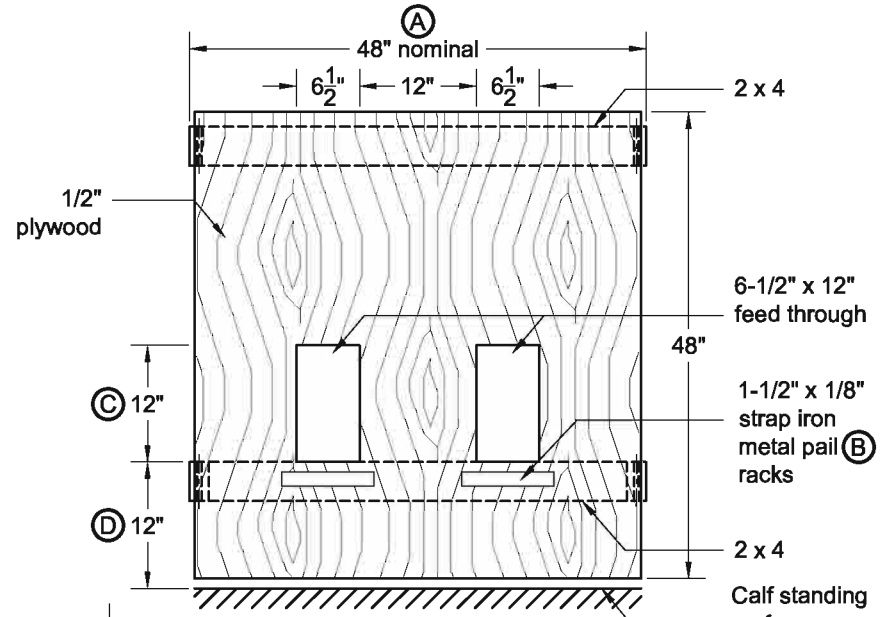


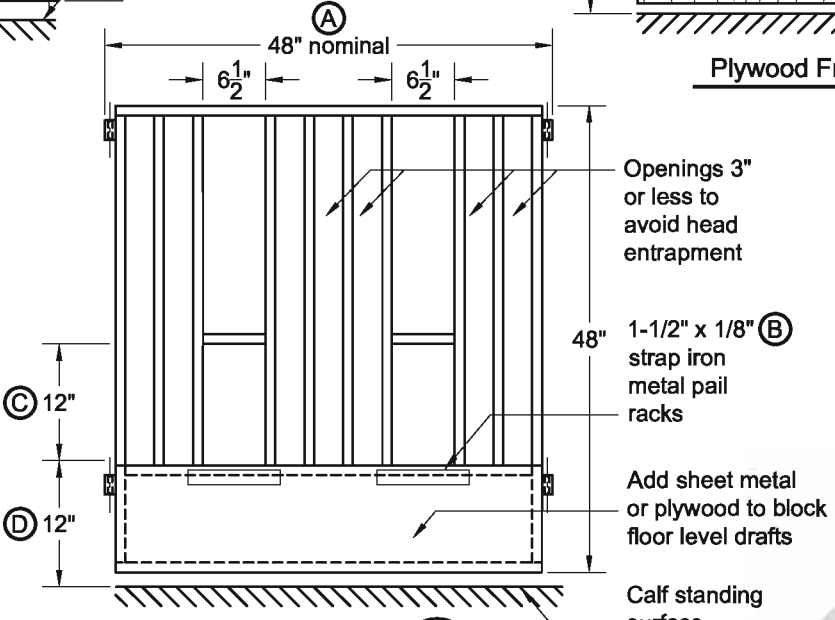
Slatted Front Detail 1/1



Plywood Front Detail 1/3

**Notes :**

- Ⓐ Modify width of front to accommodate hinge and latch methods selected.
- Ⓑ Pail holders sized and mounted to correspond with size and type of pail. Top rim of pail should not be more than 12" higher than typical calf standing surface
- Ⓒ Select top clearance to minimize calf escape and not interfere with access of larger calves or as bedding builds up.
- Ⓓ Measure opening height from typical calf standing surface.



Pipe Front Detail 1/2

**INDIVIDUAL FEEDING FRONTS FOR BABY CALVES**  
 Graves, Tyson, McFarland, Wilson  
 Date: 02/28/07 Sheet #1 of 1